

COMPANY INTRODUCTION 公司简介

常州朗奇威电器有限公司成立于 2011 年，坐落于微电机产业发达、交通便利、人文及经济环境优越的江苏省常州市湖塘科技产业园；公司以微电机、泵电机、水泵等业务作为主要产品支柱，以其精湛的技术、可信赖的品质、优秀的服务态度远销欧洲、北美、东南亚市场；在制冷、通风、环保、水泵等工业及民用设施领域取得不菲成绩。

厂房面积 16,000 平米；公司生产的产品通过 CCC 认证，出口产品分别通过 UL、CSA、VDE、TUV、CE 等认证，所有产品均达到欧盟 RoHS 环保要求。在经营过程中，公司已通过 ISO9001: 2008 质量管理体系认证，通过目标管理和持续改善，不断提高生产效率。

- 坚持诚信原则，致力于为全球客户提供安全、环保、高效的有关电机驱动系统的全面解决方案
- 坚持大量采用全自动机器人、AGV 等设备，致力于最大限度的提升生产效率，降低生产成本
- 坚持质量为纲，致力于成为全球客户最有质量保障的供货商
- 坚持以人为本，致力于为员工提供轻松快乐的工作环境

愿我们能和全球优秀客户一起成长，逐步成为优秀的电机系统研发、制造基地，成为全球客户最具竞争力的合作伙伴。

Changzhou LEKVA Electronics CO., Ltd (hereinafter referred to LEKVA motor), founded in 2011, located in industrial park of science and technology, Changzhou, Jiangsu province, which is famous for micro motor, with convenient transportation and good cultural and economic environment. Mainly focus on micro-motor, pump motor and pump etc, LEKVA motor has exported products to Europe, North America, Southeast Asia market with its exquisite technology, reliable quality and great service; and it has made outstanding achievement in industrial and residential field, like refrigeration, ventilation, environment and pump.

LEKVA motor covers 16,000 square meters, all products acquired the CCC certification, export products achieved UL、CSA、VDE、TUV、CE certifications. All products meet the EU RoHS environment requirement. The company also acquired ISO9001:2008 quality management system, continuously improve the production efficiency through target management and continuous improvement.

On the principle of integrity, the company is committed to providing the comprehensive motor solution to the global customer with the safe, environmental, highly-efficient products.

With the help of automatic robot, AGV and other equipment, the company is committed to improving the production efficiency to reduce the production cost.

To put the quality first, the company is devoted to becoming the most quality assurance supplier to the world' s customers.

People-oriented, the company is committed to providing a relaxed and happy working environment to the staff.

We would like to grow with all excellent global customers, turn into excellent motor innovation and manufacture base, and persist to becoming the outstanding and competitive partner of all of our customers.

我们立志成为客户的首要选择。



塑封交流电机

Resin Packed AC Motor

应用

空气净化器、空调内机
除湿机、消毒机
空气排风扇、风幕机

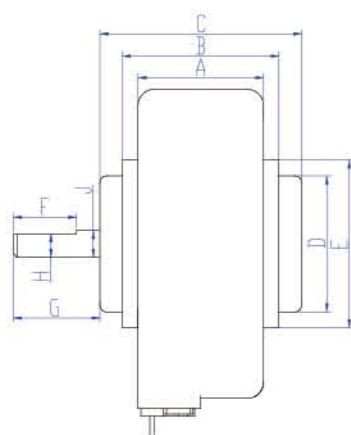
性能

电压 208~240V 50/60Hz, 100~120V 60Hz
2、4 极
输出功率范围: 4~35W

特征

低噪音、长寿命、振动小
E 级绝缘
抽头、单速、PG 调速

外形



Application

Air refresher, indoor unit of air conditioner
Dehumidify, disinfectant
Air ventilation fan, air curtain

Performance

208~240V 50/60Hz, 100~120V 60Hz
2,4 poles
Output power range:4-35 W

Feature

Low noise, long lifetime, small vibration
Insulation: Class E
Multi-speed/single speed/ PG speed feedback

Outline



A(mm)	B(mm)	C(mm)	D(Φ)	E(Φ)	F(mm)	G(mm)	H(mm)	J(Φ)
32.39.49	35-80	40-108	34-45	45-60	5-60	8-150	3-7	3-8

技术参数

Technical Data

Model	Volt(V)	Freq(Hz)	Current(I)	Output(W)	Speed (RPM)
YFK-07901204-Y002	220	50	0.19	35	1100
YFK-07902604-SY03	230	60	0.23	50	1350
YFK-07901302-Y007	100-120	50/60	0.18	45	1800
YFK-07900804-GR02	220	50	0.12	26	1400
YFK-07902504-T002	220	50	0.32	65	2600

塑封直流电机

Resin Packed DC Motor

应用

空气净化器、空调内机
除湿机、消毒机
空气排风扇、风幕机

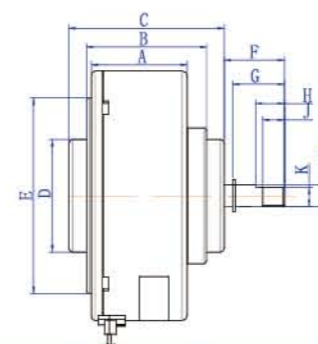
性能

高压 176-310VDC、低压 24VDC
8、10 极
输出功率范围: 2~280W

特征

直流或交流电源输入直流无刷电机
正弦波可编程控制
无极变速 / 恒转速 / 恒转矩
高效率、低噪音
结构合理、振动小
堵转保护
过流、过热、过压保护
B 级绝缘

外形



Application

Air refresher, indoor unit of air conditioner
Dehumidifier, disinfectant
Air ventilation fan, air curtain

Performance

High voltage 176-310VDC, low voltage 24VDC
8,10 poles
Output power range: 2-280W

Feature

BLDC motor with DC or AC input
Sinusoidal programmable control
Variable speed/constant speed /constant torque
High efficiency, low noise
Reasonable structure, small vibration
Locked rotor protection
Over current, over heat, over voltage protection
Insulation: Class B

Outline



A(mm)	B(mm)	C(mm)	D(Φ)	E(Φ)	F(mm)	G(mm)	H(mm)	J(Φ)	K	M
39.49	41-80	45-108	34-45	45-78	5-150	8-150	3-60	5-25	3-7	3-8

技术参数

Technical Data

Model	Volt (V)	Vsp (Hz)	Current(I)	Output(W)	Speed (RPM)
ZFK-08802008-J002	24	2-5.5	0.88	28	1200
ZFK-08804008-J003	176-310	2-6.5	0.23	58	1450
ZFK-08806008-J004	280-340	2-6.5	0.18	80	1200
ZFK-08805008-J005	100-130	2-6.5	0.59	75	1100
ZFK-10410008-J006	280-340	2-6.5	0.45	130	1200
ZFK-10412008-J007	310	2-6.5	0.55	150	1000

95mm 铁壳电机(一)

应用

1-2HP 空调分体室外机组
2HP 空调分体挂机

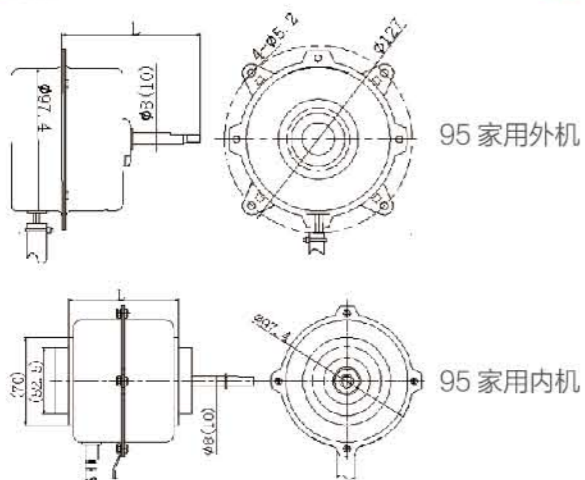
性能

电压 208~240V 50/60Hz, 70~120V, 60Hz
2、4、6 极
输出功率范围: 6~60W

特征

铜线 / 铝线设计
结构合理、噪音低、振动小
拉伸端盖、卷板机壳或塑封结构

外形



95mm Steel Packed Motor

Application

1-2HP outdoor unit of split air conditioner
2HP indoor unit of split air conditioner

Performance

208~240V, 50/60Hz, 70~120V, 60Hz
2、4、6 poles
Output power range: 6-60 W

Feature

Copper/aluminum winding design
Reasonable structure, low noise, small vibration
Steel end cap plated, rolled steel shell or resin packed

Outline



Technical Data

Model	Volt (V)	Freq (Hz)	Output (W)	Speed (RPM)	Capacitor (uF)	Pole	Reference
YDK-09501506	220	50	15	800	1.5	6	Outdoor unit
YDK-09502506	220	50	25	850	2.5	6	
YDK-09503506	220	50	35	880	3.0	6	
YDK-09505006	220	50	50	850	4.0	6	
YDK-09502004	220	50	20	1150/1050/950	2.0	4	Indoor unit
YDK-09503004	220	50	30	1300/1150/1050	2.0	4	
YDK-09504004	220	50	40	1350/1200/1050	2.5	4	

95mm 铁壳电机(二)

应用

1-2HP 窗机
空气净化器
1-2HP 吊顶式空调

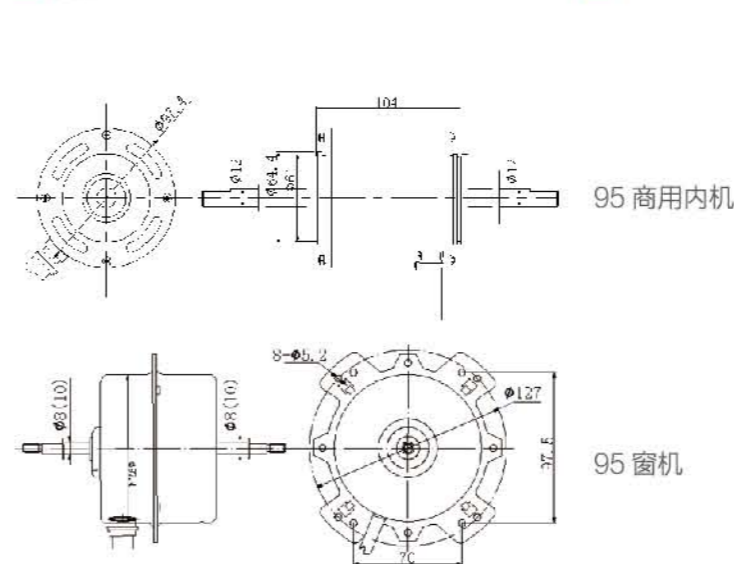
性能

电压 208~240V 50/60Hz, 70~120V 60Hz
2、4、6 极
输出功率范围: 6~60W

特征

铜线 / 铝线设计
结构合理、噪音低、振动小
拉伸端盖、卷板机壳或塑封结构

外形



技术参数

Model	Volt (V)	Freq (Hz)	Output (W)	Speed(RPM)	Capacitor (uF)	Pole	Reference
YSK-09502804	220	50	28	1150/1000/850	2.5	4	Commercial
YSK-09503504	220	50	35	1050/950/850	2.0	4	Window type
YSK-09504004	115	60	40	1100/1000/900	5.0	4	
YSK-09505504	230	60	55	1100/1000/900	3.5	4	
YSK-09506004	230	50	60	1050/1000/950	4.0	4	

95mm Steel Packed Motor

Application

1-2HP window air conditioner
Air purifier
1-2HP ceiling air conditioner

Performance

208~240V 50/60Hz, 70~120V 60Hz
2、4、6 poles
Output power range: 6-60 W

Feature

Copper/aluminum winding design
Reasonable structure, low noise, small vibration
Steel end cap plated, rolled steel shell or resin packed

Outline



Technical Data

120mm 铁壳电机(一)

应用

2HP-5HP 空调分体室外机组
2HP-3HP 空调室内柜机

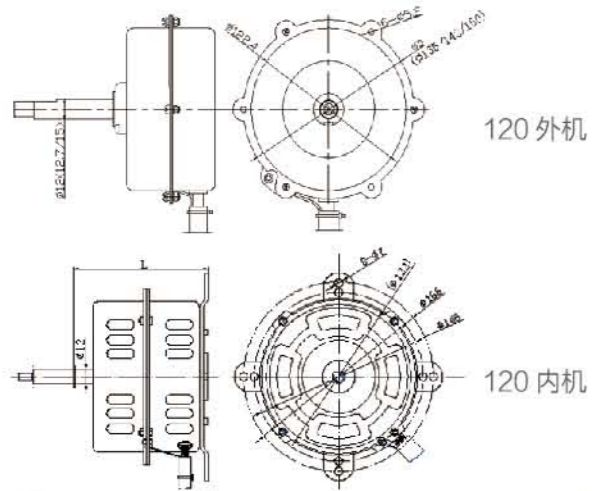
性能

电压 208~240V 50/60Hz, 70~120V 60Hz
4、6、8 极
输出功率范围: 25~200W

特征

铜线 / 铝线设计
结构合理、噪音低、振动小
拉伸端盖、卷板机壳或塑封结构

外形



技术参数

Model	Volt (V)	Freq (Hz)	Output (W)	Speed(RPM)	Capacitor(uF)	Pole	Reference
YDK-12004006	220	50	40	800	3.0	6	Outdoor unit
YDK-12006006	220	50	60	850	4.0	6	
YDK-12010004	220	50	100	1150	5.0	4	
YDK-12020004	220	50	200	1350	6.0	4	
YDK-12002508	220	50	25	500/420/350	2.5	8	
YDK-12004008	220	50	40	530/450/370	3.0	8	Indoor unit
YDK-12005008	220	50	50	560/470/380	3.5	8	

120mm Steel Packed Motor

Application

2-5HP outdoor unit of split air conditioner
2-5HP indoor unit of cabinet air conditioner

Performance

208~240V 50/60Hz, 70~120V 60Hz
4,6,8 poles
Output power range: 25-200 W

Feature

Copper/aluminum winding design
Reasonable structure, low noise, small vibration
Steel end cap plated, rolled steel shell or resin packed

Outline



Technical Data

120mm 铁壳电机(二)

应用

2HP-5HP 空调分体室外机组
2HP-3HP 空调室内柜机

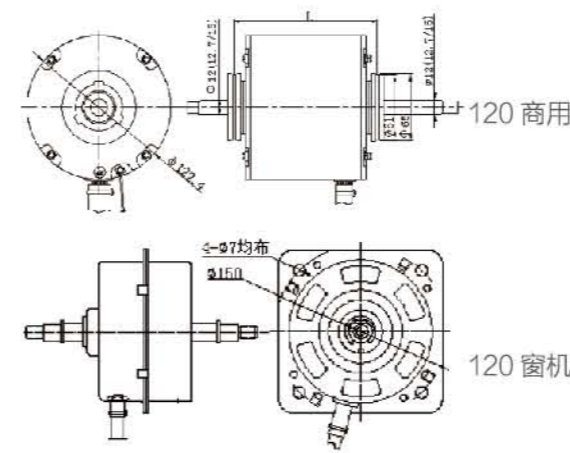
性能

电压 208~240V 50/60Hz, 70~120V 60Hz
4、6、8 极
输出功率范围: 25~200W

特征

铜线 / 铝线设计
结构合理、噪音低、振动小
拉伸端盖、卷板机壳或塑封结构

外形



技术参数

Model	Volt (V)	Freq (Hz)	Output (W)	Speed(RPM)	Capacitor(uF)	Pole	Reference
YSK-12004004	220	50	40	1050/950/800	3.0	4	Commercial
YSK-12008004	220	50	80	1180/1020/880	3.5	4	
YSK-12012004	220	50	120	1270/1150/1050	6.0	4	
YSK-12018004	220	50	180	1350/1220/1080	8.0	4	
YSK-12006006	115	60	60	950/880/800	15.0	6	
YSK-12009006	240	50	90	860/750/600	3.5	6	Window type
YSK-12012006	220	60	120	980/880/780	4.0	6	
YSK-12015004	230	50	150	1050	6.0	4	

120mm Steel Packed Motor

Application

2-5HP outdoor unit of split air conditioner
2-5HP indoor unit of cabinet air conditioner

Performance

208~240V 50/60Hz, 70~120V 60Hz
4,6,8 poles
Output power range: 25-200 W

Feature

Copper/aluminum winding design
Reasonable structure, low noise, small vibration
Steel end cap plated, rolled steel shell or resin packed

Outline



Technical Data

140mm 铁壳电机 (一)

应用

5HP 空调分体室外机组
5HP 空调室内柜机

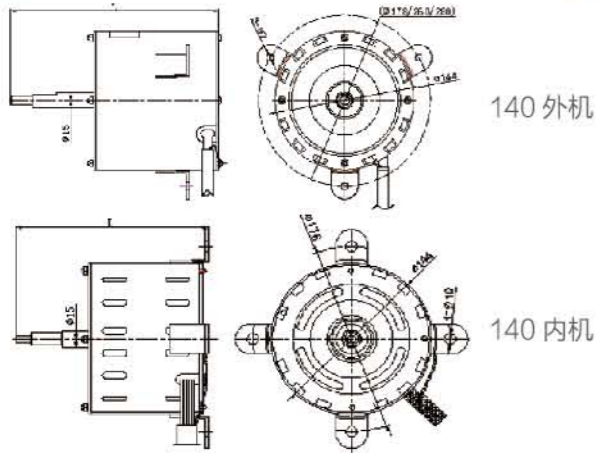
性能

电压 208~240V 50/60Hz, 70~120V 60Hz
4、6、8、10 极
输出功率范围: 60~600W

特征

铜线 / 铝线设计
结构合理、噪音低、振动小
拉伸端盖、卷板机壳或塑封结构

外形



140mm Steel Packed Motor

Application

5HP outdoor unit of split air conditioner
5HP cabinet air conditioner

Performance

208~240V 50/60Hz, 70~120V 60Hz
4,6,8,10 Poles
Output power range: 60~600W

Feature

Copper/aluminum winding design
Reasonable structure, low noise, small vibration
Steel end cap plated, rolled steel shell or resin pack

Outline



Technical Data

Model	Volt (V)	Freq (Hz)	Output (W)	Speed(RPM)	Capacitor(uF)	Pole	Reference
YDK-14008506	220	50	85	880	4.0	6	Outdoor unit
YDK-14015004	230	50	150	1050	5.0	4	
YDK-14045004	220	50	450	1200	10.0	4	
YDK-14055006	115	60	550	1050/900/800	20.0	6	
YDK-14010010	220	50	100	480/420/370	6.0	10	Indoor unit
YDK-14020008	220	60	200	800/700/600	10.0	8	
YDK-14035008	240	50	350	600/520/450	20.0	8	
YDK-14048008	220	60	480	800/700/600	20.0	8	

140mm 铁壳电机 (二)

应用

3HP~5HP 商用空调
3HP~5HP 窗机

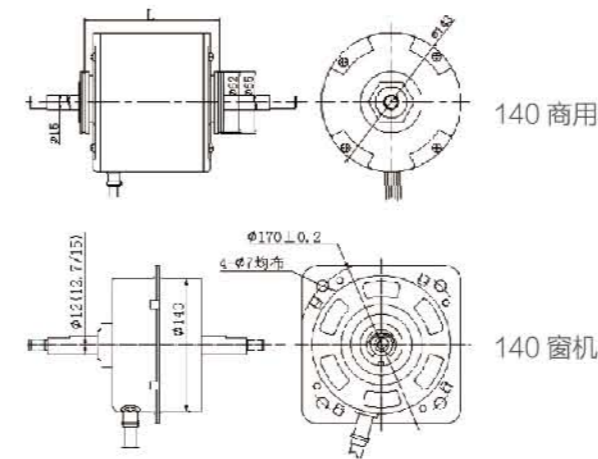
性能

208~240V 50/60Hz, 70~120V 60Hz
4、6、8、10 极
输出功率范围: 60~600W

特征

铜线 / 铝线设计
结构合理、噪音低、振动小
拉伸端盖、卷板机壳或塑封结构

外形



140mm Steel Packed Motor

Application

3~5HP commercial air conditioner
3~5HP window air conditioner

Performance

208~240V 50/60Hz, 70~120V 60Hz
4,6,8,10 Poles
Output power range: 60~600W

Feature

Copper/aluminum winding design
Reasonable structure, low noise, small vibration
Steel end cap plated, rolled steel shell or resin packed

Outline



技术参数

Model	Volt (V)	Freq. (Hz)	Output (W)	Speed(RPM)	Capacitor(uF)	Pole	Reference
YSK-14009006	220	50	90	900/780	8.0	6	Commercial
YSK-14018004	220	50	180	1350/1220/1080	8.0	4	
YSK-14022004	220	50	220	1350/1250/1150	8.0	4	
YSK-14032004	220	50	320	1350/1250/1150	15.0	4	
YSK-14045004	220	60	450	1480/1300/1150	15.0	4	Window type
YSK-14013004	220	50	130	960/800/650	8.0	4	
YSK-14020004	220	50	200	1120/950/780	10.0	4	

Technical Data

风机盘管电机

Fan Coil Motor

应用

风机盘管
吸顶空调室内机组

Application

Fan Coil
Indoor unit of ceiling air conditioner

性能

电压 208~240V 50/60Hz, 100~120V 60Hz
4、6 极
输出功率范围: 6~100W

Performance

208~240V 50/60Hz, 100~120V 60Hz
4, 6 poles
Output power range: 6-100 W

特征

铜线 / 铝线设计
结构合理、噪音低、振动小
拉伸端盖、卷板机壳或塑封结构

Feature

Copper/aluminum winding design
Reasonable structure, low noise, small vibration
Steel end cap plated, rolled steel shell or resin packed

外形

Outline

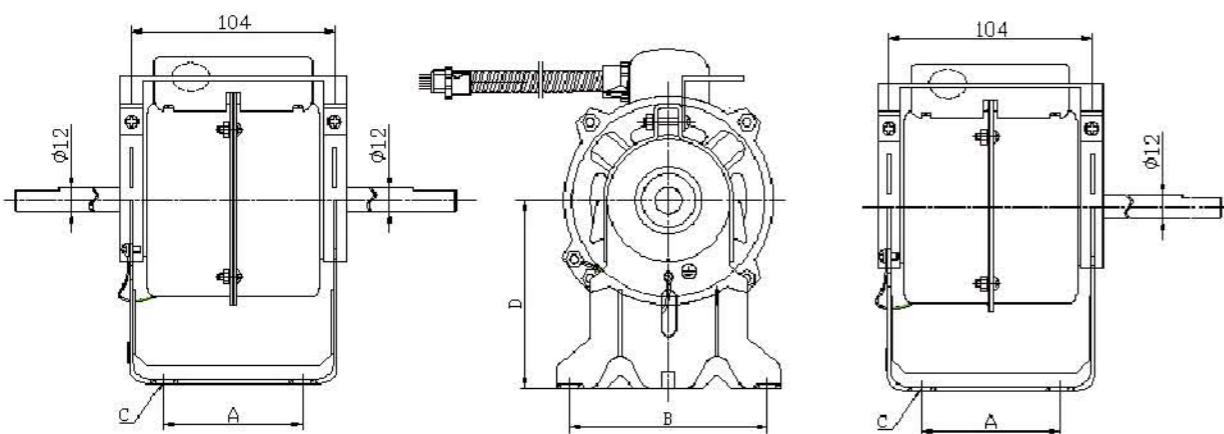


图 1

图 2

图 3

	A	B	C	D
支架1	90	80	9	85
支架2	72	100	6.5	90
支架3	72	94	5.5	94
支架4	72	100	5.5	95
支架5	72	100	5.5	100
支架6	72	100	5.5	105
支架7	72	125	6.5	105
支架8	72	100	6.5	115
支架9	72	120	6.5	115

风机盘管电机

Fan Coil Motor



技术参数

Technical Data

Model	Pressure (Bar)	Volt(V)	Freq (Hz)	Output (W)	Speed (RPM)	CFM (m3/h)	参考图
FP-34	12	220	50	7	720/550/400	340/255/170	图2、图3
	30	220	50	12	890/710/510		
	50	220	50	16	1050/830/580		
FP-51	12	220	50	12	760/590/430	510/383/255	图1、图2
	30	220	50	18	920/740/520		
	50	220	50	26	1080/870/610		
FP-68	12	220	50	16	785/605/450	680/510/340	图1、图2
	30	220	50	26	950/760/540		
	50	220	50	35	1100/900/620		
FP-85	12	220	50	27	900/710/500	850/638/425	图1、图2
	30	220	50	38	1035/830/630		
	50	220	50	48	1150/925/650		
FP-102	12	220	50	38	970/780/570	1020/765/510	图1、图2
	30	220	50	48	1090/900/650		
	50	220	50	60	1220/960/690		
FP-136	12	220	50	20	900/710/500	1360/1020/680	图1、图2 (双电机)
	30	220	50	28	1045/830/620		
	50	220	50	35	1150/935/680		
FP-170	12	220	50	33	1010/780/580	1700/1275/850	图1、图2 (双电机)
	30	220	50	42	1100/940/680		
	50	220	50	55	1220/990/720		
FP-204	12	220	50	40	1020/820/620	2040/1530/1020	图1、图2 (双电机)
	30	220	50	50	1150/960/700		
	50	220	50	65	1270/985/740		
FP-238	12	220	50	55	1050/850/660	2380/1785/1190	图1、图2 (双电机)
	30	220	50	65	1185/990/740		
	50	220	50	75	1310/1010/770		

商用无刷直流电机

Commercial BLDC Motor

应用

商用空调室内、外机组
空气过滤单元

性能

DC240~310V/ AC208~240V
输出功率: 120W
转速范围: 300 ~ 2000RPM

特征

直流或交流电源输入直流无刷电机
正弦波可编程控制
无极变速 / 恒转速 / 恒转矩 / 恒风量

高效率、低噪音
结构合理、振动小
堵转保护
过流、过热、过压保护
B 级绝缘

Application

Commercial air conditioner indoor and outdoor unit
FFU (Fan filter unit)

Performance

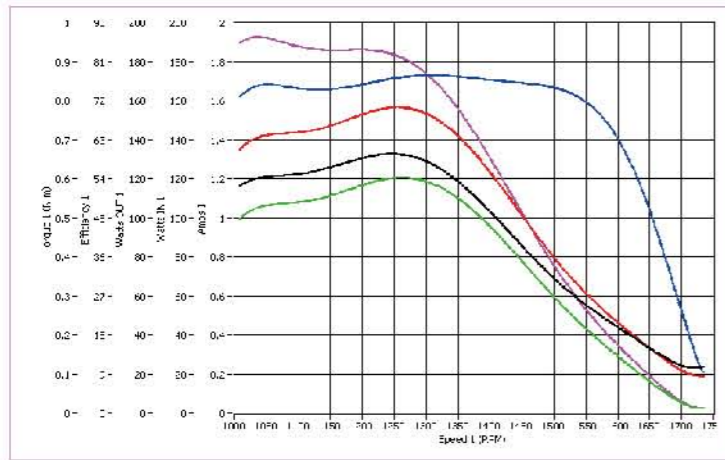
DC 240~310V/ AC208~240V
Output power : 120 W
Speed range: 300 ~ 2000RPM

Feature

BLDC motor with DC or AC input
Sinusoidal programmable control
Variable speed/constant speed
constant torque/ constant air flow
High efficiency, low noise
Reasonable structure, small vibration
Locked rotor protection
Over current, over heat, over voltage protection
Insulation: Class B

外形

Outline



技术参数

Technical Data

Model	Volt (V)	Current(I)	Output(W)	Speed (RPM)
ZFK11012008BA01	310DC	0.6	120	1200
ZFK11012008BA02	220AC	0.9	120	1200

风机盘管无刷直流电机

Fan Coil BLDC Motor

应用

风机盘管
吸顶空调室内机组

性能

DC240~370V/ AC208~240V
输出功率范围: 6 ~ 120W
转速范围: 300 ~ 2000RPM

特征

直流或交流电源输入直流无刷电机
正弦波可编程控制
无极变速 / 恒转速 / 恒转矩 / 恒风量

高效率、低噪音
结构合理、振动小
堵转保护
过流、过热、过压保护
B 级绝缘

Application

Fan coil unit
Ceiling air conditioner indoor unit

Performance

DC 240~370V/ AC208~240V
Output power range: 6~120 W
Speed range: 300 ~ 2000RPM

Feature

BLDC motor with DC or AC input
Sinusoidal programmable control
Variable speed/constant speed
Constant torque/ constant air flow
High efficiency, low noise
Reasonable structure, small vibration
Locked rotor protection
Over current, over heat, over voltage protection
Insulation: Class B

外形

Outline



技术参数

Technical Data

Model	Volt (V)	Output(W)	Speed (RPM)	Fan unit model
ZSK11005008BA10	310DC/220AC	50	300~1500	FP34,51,68,85
ZSK11009008BA11	310DC/220AC	90	300~1500	FP102,136,170,204,238

直流排水泵

应用

中央空调排水
吸顶空调排水
小型排水系统

性能

额定电压 12VDC, 最大电压 15VDC
最大扬程 1.2m
最小流量 400Lm/min(10mm 水位)
最大噪音 40dB(1 米测量距离)

特征

体积小、超静音运行
结构紧凑、低噪音、振动小
直流微型排水

外形



Brushless DC Pump

Application

Draining of central air conditioning
Ceiling air conditioning
Small draining system

Performance

Rated voltage 12VDC,max voltage 15VDC
Max head 1.2m
Mini flow 400Lm/min(10mm water level)
Max noise 40dB(1m test distance)

Feature

Small dimension, super low noise run
Compact structure, low noise, small vibration
Micro brushless draining pump

Outline



技术参数

Model	Volt (V)	Noise (dB)	Current (I)	Head(mm)	Flow(m/min)
ZFK-05000308-S003	12	Max 40	0.04	1200	400L

Technical Data

冰箱直流电机

应用

冰箱冷风循环, 微型水泵.
低噪音通风散热系统

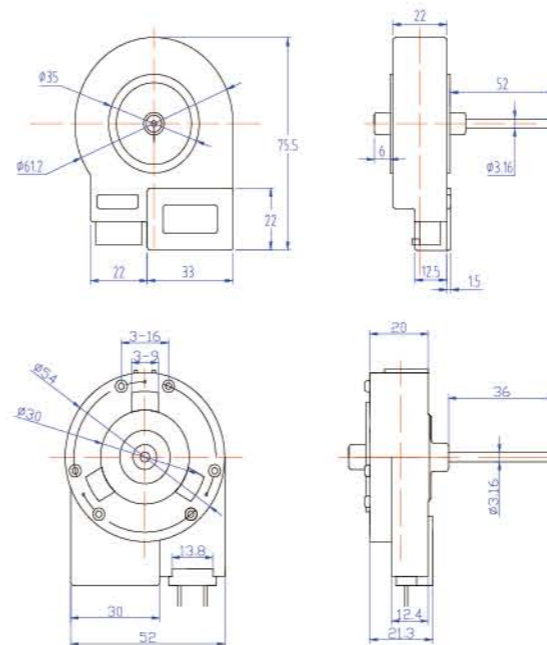
性能

11~15VDC, 8、10 极
输出功率范围: 1.5~5W

特征

体积小、低噪音
防潮防湿、长寿命、振动小
永磁直流无刷电动机
无极调速、单速

外形



技术参数

Model	Volt (V)	Control volt (V)	Current (I)	Output(W)	Speed (RPM)
ZFK-05000208-S001	12	2-6	0.12	2.5	1370
ZFK-05000208-S002	12	-	0.18	3.5	2850
ZFK-05200508-S003	10	2-6	0.35	5.8	2400

Refrigerator DC Motor

Application

Refrigerator cool wind recycle, micro-pump
Low noise ventilation and heat radiation system

Performance

11~15VDC, 8, 10 poles
Output power range: 1.5-5W

Feature

Small dimension, low noise
Anti-moisture, long lifetime, small vibration
Permanent magnet brushless DC motor
Variable speed/ single speed

Outline



Technical Data

按摩浴缸泵用电机

Spa & Bath Motor

应用

按摩浴缸
可用于其他室内抽水场合

性能

电压 200~240V, 100~120V, 50/60 Hz
输出功率范围: 1/4 HP~1.5HP
F 级绝缘
UL & CUL 认证

特征

高效节能
结构简单、安装方便
符合 RoHS、Reach 等环保要求
结构合理、噪音低、振动小、启动大
漆包线可选择铜线或铝线

Application

Spa & Bath
Other indoor pump application

Performance

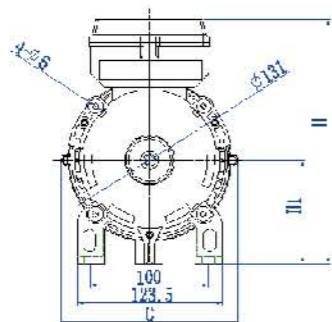
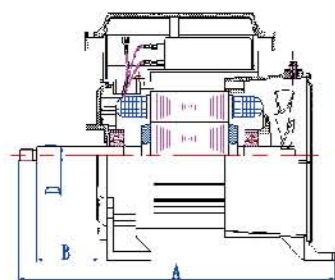
200~240V, 100~120V, 50/60 Hz
Output power range : 1/4 HP~1.5 HP
Insulation: class F
UL & CUL

Feature

High efficiency and energy- saving
Simple structure, easy assembly
Meet RoHS、Reach requirement
Reasonable structure, low noise and small vibration
Copper/ aluminum design

外形

Outline



技术参数

Technical Data

Model	Fr.	A	B	C	D	Output(W)	H	H1
YYB090037502XXX	90	235.5	ADJ	132	10/12/12.7	375	183	68
YYB090055002XXX	90	252.5	ADJ	132	10/12/12.7	550	183	68
YYB112055002XXX	112	233	ADJ	156	10/12/12.7	550	216	88.65
YYB112075002XXX	112	243	ADJ	156	10/12/12.7	750	216	88.65
YYB112110002XXX	112	259	ADJ	156	10/12/12.7	1100	216	88.65
YYB112150002XXX	112	284	ADJ	156	10/12/12.7	1500	216	88.65

泳池泵用电机

Swimming Pool Pump Motor

应用

游泳池水循环系统;
其他室外内抽水场合

性能

电压 200~240V, 100~120V, 50/60Hz
输出功率范围: 1/4 HP~2 HP
绝缘等级: F 级绝缘
防护等级: IP55

特征

高效节能
防水防锈
符合 RoHS、Reach 等环保要求
结构合理、噪音低、振动小

外形

Application

Swimming pool
Other application of pumping water

Performance

200~240V, 100~120V, 50/60Hz
Output power range: 1/4 HP~2HP
Insulation: Class F
Protection: IP55

Feature

High Efficiency
Water and rusty proof
Meet RoHS, Reach requirement
Reasonable structure, low noise, small vibration

Outline



技术参数

Technical Data

Model	Fr.	Volt(V)	Freq(Hz)	Output (W)	Speed(RPM)	Eff.	Winding
YYB090030002XXX	90	208~230	50	300	2850	67%	Cu/Al
YYB090040002XXX	90	208~230	50	400	2850	73%	Cu/Al
YYB090037502XXX	90	115/230	60	375	3450	67%	Cu/Al
YYB090055002XXX	90	115/ 230	60	550	3450	73%	Cu/Al
YYB112075002XXX	112	115/ 230	60	750	3450	75%	Cu/Al
YYB112110002XXX	112	115/230	60	1100	3450	80%	Cu/Al

排污泵用电机

应用

游泳池盖板污水处理
可用于其他水处理场合

性能

电压 100~240V, 50/60Hz
输出功率范围: 1/8 HP~1HP
F 级绝缘

特征

不锈钢前盖防锈
符合 RoHS、Reach 等环保要求
结构合理、噪音低、振动小

外形



技术参数

Model	Fr.	Volt(V)	Freq (Hz)	Output (W)	Speed (RPM)	Efficiency	Winding
YYB090030002XXX	90	208~230	50	300W	2850	67%	Cu/Al
YYB090040002XXX	90	208~230	50	400W	2850	73%	Cu/Al
YYB090037502XXX	90	115V/230	60	375W	3450	67%	Cu/Al

Sewage Pump Motor

Application

Swimming pool cover sewage treatment
Other sewage treatment in other places

Performance

100-240V, 50/60HZ
output power range 1/8HP ~1HP
Insulation: class F

Feature

Stainless front end cap, rust proof
Meet RoHS, Reach requirement
Reasonable structure, low noise, small vibration

Outline

Technical Data

潜水泵用电机

应用

潜水泵

性能

电压 100~240V, 50/60Hz
输出功率范围: 10W~1100W
B 级绝缘

特征

高效节能
防水防锈
符合 RoHS、Reach 等环保要求
结构合理、噪音低、振动小

外形



技术参数

Model	Fr.	Volt (V)	Freq (Hz)	Output (W)	Speed (RPM)	Pole	Type
YYB124015002XXX	124	115	60	150	1650	4	Shaded Pole
YYB124025002XXX	124	115	60	250	1650	4	Shaded Pole
YYB139075002XXX	139	115	60	750	3450	2	PSC
YYB139110002XXX	139	230	60	750	3450	2	PSC
YYB082005002XXX	82	230/115	50/60	50	2850/3450	2	Shaded Pole
YYB13911002XXXX	139	230/115	50/60	1100	2850/3450	2	PSC

Submerged Pump Motor

Application

Submerged pump

Performance

100~240V, 50/60Hz
Output power range: 10W~1100W
Insulation: Class B

Feature

High Efficiency
Water and rust proof
Meet RoHS, Reach requirement
Reasonable structure, low noise, small vibration

Outline



Technical Data

泵电机 - 48Fr

Pump Motor-48Fr

应用

游泳池泵、潜水泵、排污、泵等领域

性能

电压 208~240V, 100~120V, 50/60Hz
输出功率范围: 1/2 HP
F 级绝缘
可选电容启动、电阻启动、电容运行、双电容
UL & CUL 认证

特征

高效节能;
风道优良, 散热好;
符合 RoHS、Reach 等环保要求
结构合理, 材料利用率高;
可单独供应定子、转子;

外形



Application

Bath pump, diving pump, sewage pump

Performance

208~240V, 100~120V, 50/60Hz
Output power range: 1/2HP
Insulation: class F
Capacitor or resistance start run
Meet UL & CUL

Feature

High efficiency and energy saving
Good air passage and heat dissipation
Meet RoHS- Reach
Reasonable structure, high material utilization rate
Stators and rotors separately available

Outline

技术参数

Technical Data

Model	Fr.	Volt(V)	Freq(Hz)	Output (W)	Speed (RPM)	Insulation	Winding
YYB139037502XXX	139	230/115	50/60	375	2850/3450	F	Cu/Al
YYB139055002XXX	139	230/115	50/50	550	2850/3450	F	Cu/Al
YYB139075002XXX	139	230/115	50/60	750	2850/3450	F	Cu/Al
YYB139110002XXX	139	230/115	50/60	1100	2850/3450	F	Cu/Al
YYB139150002XXX	139	230/115	50/60	1500	2850/3450	F	Cu/Al
YYB139225002XXX	139	230/115	50/60	2250	2850/3450	F	Cu/Al

泵电机 - 56Fr

Pump Motor - 56Fr

应用

水泵、空压机

性能

电压 208~240V, 100~120V, 50/60Hz
输出功率范围: 1/2 HP~5HP
绝缘等级: F 级绝缘
可选电容启动、电容运行等

特征

有方法兰、圆法兰可选
风道优良, 力矩较大
符合 RoHS、Reach 等环保要求
结构合理, 材料利用率高

外形



Application

Water pump, air compressor

Performance

208~240V, 100~120V 50/60Hz
1/2HP~5HP
Insulation: class F
Capacitor run or capacitor start

Feature

Square flange or round flange
Good air duct, big torque
Comply with RoHS, Reach requirement
High material utilization

Outline

技术参数

Technical Data

Model	Fr.	Volt (V)	Freq(Hz)	Output (W)	Speed(RPM)	Insulation	Winding
YYB160037502XXX	160	230/115	50/60	375	2850/3450	F	Cu/Al
YYB160055002XXX	160	230/115	50/50	550	2850/3450	F	Cu/Al
YYB160075002XXX	160	230/115	50/60	750	2850/3450	F	Cu/Al
YYB160110002XXX	160	230/115	50/60	1100	2850/3450	F	Cu/Al
YYB160150002XXX	160	230/115	50/60	1500	2850/3450	F	Cu/Al
YYB160225002XXX	160	230/115	50/60	2250	2850/3450	F	Cu/Al

U 型水泵

应用

设备内冷凝水排水

性能

电压 100~240 V, 50/60 Hz
输出功率范围: 5W~80W
最大流量: 10~100 加仑 / 时
最大扬程: 0.5~7 m

特征

全密封结构、防水防尘、可半潜水
结构简单、安装方便
符合 RoHS、Reach 等环保要求
结构合理、噪音低、振动小

外形



Pump U Series

Application

Condensed water draining

Performance

100-240V,50/60Hz
Output power range: 5-80W
Max flow rate 10-100 gal/H
Max Hydraulic head: 0.5~7m

Feature

Enclosed structure, water and rust proof
Simple structure, easy assembly
Meet RoHS、Reach requirement
Reasonable structure, low noise, small vibration

Outline



技术参数

Model	Volt(V)	Freq(Hz)	Output(W)	Pole	Max flow (GAL /H)	Max head(M)
YYB080002002XXX	208~230	50	20	2P	26	1.8
YYB080003002XXX	208~230	50	30	2P	39	2.6
YYB080005002XXX	115/230	60	50	2P	65	4.4
YYB080006502XXX	115/230	60	65	2P	85	5.8

Technical Data

增压泵

应用

楼层自来水增压

性能

电压 200 ~ 240V, 100 ~ 120V, 50/60Hz
输出功率范围: 1/4 P ~ 1P
流量范围: 30 ~ 120L/min
扬程范围: 0.5m ~ 20m
进出管径: 25 ~ 38mm(1" ~ 1.5")

特征

结构紧凑、性能优越
稳定可靠、节能低耗
符合 RoHS、Reach 等环保要求
设计合理、噪音低

外形



Booster Pump

Application

Pressurized water

Performance

200 ~ 240V, 100 ~ 120V 50/60Hz
Output power range: 1/4 HP ~ 1HP
Flow range: 30 ~ 120 l/min
Lift range: 0.5 m to 20 m
Pipe diameter: 25 ~ 38 mm (1" to 1.5")

Feature

Compact structure, superior performance;
Stable and reliable, energy saving
Meet RoHS, Reach requirement
Reasonable structure, low noise

Outline

技术参数

Model	Output (W)	Volt(V)	Freq(Hz)	Pipe OD	Lift(m)	Flow (L/min)	Max Flow (L/min)
ZFK-08802008-J002	200	100~240	50/60	25mm(1")	10	38	80
ZFK-08804008-J003	300	100~240	50/60	25mm(1")	10	57	120
ZFK-08806008-J004	375	100~240	50/60	38mm(1.5")	10	71	150
ZFK-08805008-J005	550	100~240	50/60	38mm(1.5")	15	71	150
ZFK-10410008-J006	750	100~240	50/60	38mm(1.5")	15	94	195

Technical Data

商用系列电机

Motor for Electrical Equipment

应用

咖啡机
面包机
洗涤电机
通风设备

Application

Coffee machines
Bread machines
Washing-up machines
Ventilation equipment

性能

电压 208~240V 50/60Hz, 70~120V 60Hz
2、4、6 极
输出功率范围: 20~250W

Performance

208~240V 50/60Hz, 70~120V 60Hz
2,4,6 poles
Output power range: 20~250W

特征

铜线设计
结构合理、噪音低、振动小
拉伸端盖、卷板机壳或塑封结构

Feature

Copper winding design
Reasonable structure, low noise, small vibration
Steel end cap plated, rolled steel shell or resin packed

外形



Outline



技术参数

Technical Data

Model	Volt(V)	Freq(Hz)	Output(W)	Speed(RPM)	Capacitor(uF)	Pole
YDK-06104004	220	50	40	1350	5.0	4
YDK-09512004	220	50	120	1250	5.0	4
YDK-09515004	220	50	150	1350	6.0	4
YDK-09518004	220	50	180	1400	8.0	4
YDK-12008004	220	50	80	1200	4.0	4
YDK-12012004	220	50	120	1200	6.0	4

混合式步进电机 -28、35、39、42 系列 Hybrid Stepper Motor

应用

办公自动化
工业自动化
医疗器械
纺织机械

Application

Office automation
Industrial Automation
Medical Devices
Textile Machinery

性能

两相 / 四相
1.8° / 0.9° 步距角
瞬间启动和停止

Performance

2Phase/4Phase
1.8°/0.9°step angle
Instant start and stop

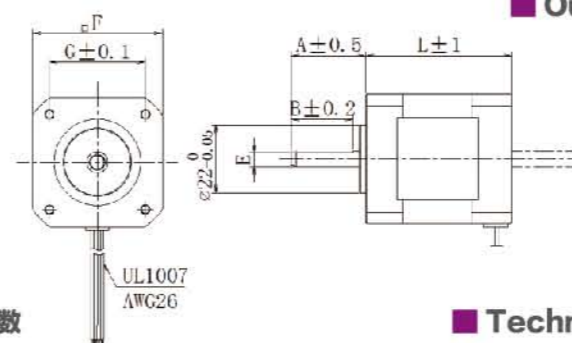
特征

铜线设计
控制电机
恒压 / 恒流驱动
B 级绝缘
无累积误差

Feature

Copper winding
Controlled motor
Constant voltage / Constant current drive
Class B insulation
No cumulative error

外形



Outline



技术参数

Technical Data

型号 Model	步距角 Step angle	电流 Current	电阻 Resistance	电感 Inductance	静力矩 Holding Torque	重量 Weight	长度 Length
	(°)	A	Ω	mH	gf.cm	Kg	mm
HDB-028A4051	1.8	0.67	9.2	5.7	1200	0.2	51
HDB-035A4026	1.8	0.8	4.8	4.3	800	0.12	26
HDB-035B4028	0.9	0.4	12.5	23.5	900	0.14	28
HDB-039A4034	1.8	0.65	7	9.3	1800	0.18	34
HDB-039A6034	1.8	0.3	40	21	1300	0.18	34
HDB-042B6033	0.9	0.4	10	9.5	1580	0.22	33
HDB-042A4033	1.8	0.95	4.2	2.5	1580	0.22	33
HDB-042A4047	1.8	1.68	1.65	2.8	4400	0.35	47

混合式步进电机 -57、60、86 系列 Hybrid Stepper Motor

应用

办公自动化
工业自动化
医疗器械
纺织机械

Application

Office automation
Industrial Automation
Medical Devices
Textile Machinery

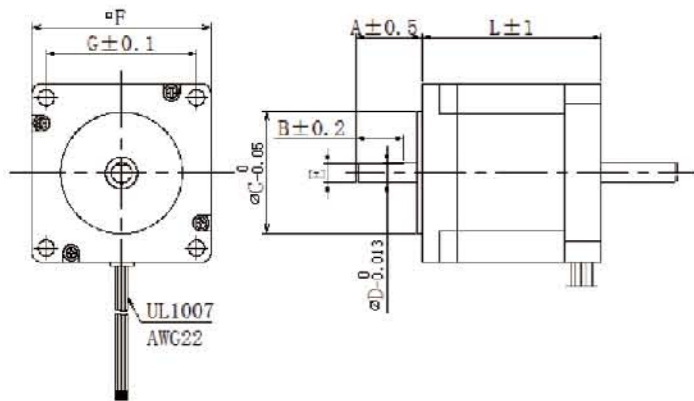
性能

两相 / 四相
1.8° 步距角
瞬间启动和停止

Performance

2Phase/4Phase
1.8° step angle
Instant start and stop

外形



Outline



技术参数

Technical Data

型号 Model	步距角 Step angle	电流 Current	电阻 Resistance	电感 Inductance	静力矩 Holding Torque	重量 Weight	长度 Length
	(°)	A	Ω	mH	gf.cm	Kg	mm
HDB-057A4041	1.8	2.8	0.7	1.4	5.5	0.47	41
HDB-057A4051	1.8	2.8	0.85	2.2	10	0.65	51
HDB-057A4056	1.8	2.8	0.9	2.5	12.6	0.7	56
HDB-057A4076	1.8	2.8	1.13	3.6	18.9	1	76
HDB-060A4056	1.8	2.5	1.3	4.2	16	0.6	56
HDB-060A4076	1.8	3	1	3.5	22	1.2	76
HDB-086A8066	1.8	4	0.6	1.6	55	2	66
HDB-086A8098	1.8	5	0.65	2.4	49	3	98
HDB-086A8114	1.8	4	1.1	5.5	58	3.5	114

混合式步进电机 -57 圆电机系列 Hybrid Stepper Motor

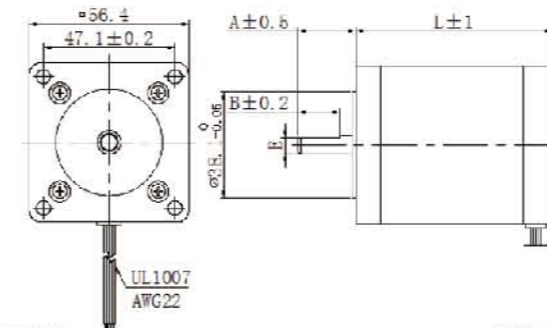
应用

办公自动化
工业自动化
医疗器械
纺织机械

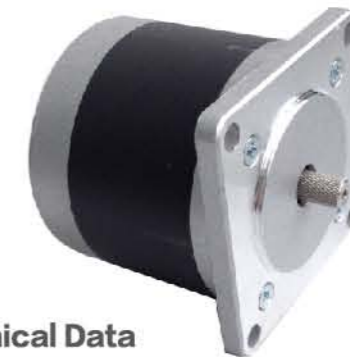
Application

Office automation
Industrial Automation
Medical Devices
Textile Machinery

外形



Outline



技术参数

Technical Data

型号 Model	步距角 Step angle	电流 Current	电阻 Resistance	电感 Inductance	静力矩 Holding Torque	重量 Weight	长度 Length
	(°)	A	Ω	mH	gf.cm	Kg	mm
HDB-057A4041	1.8	2.1	0.8	1.4	3.2	0.45	41
HDB-057A4051	1.8	2	1.3	3.2	6.2	0.6	51
HDB-057A4056	1.8	2.5	1.2	3	8	0.65	56
HDB-057A4076	1.8	2.1	2.2	6.2	11	0.8	76
HDB-057A4076	1.8	4.2	0.6	1.4	11	0.8	76

接线图

Wiring Diagram

